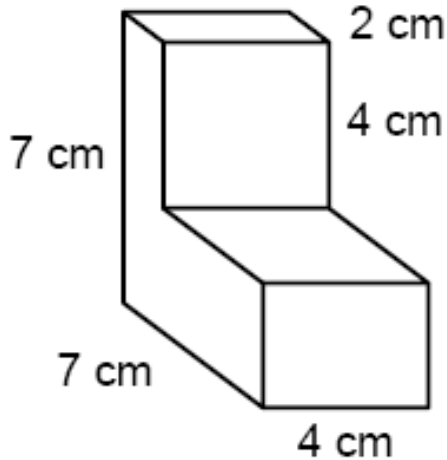
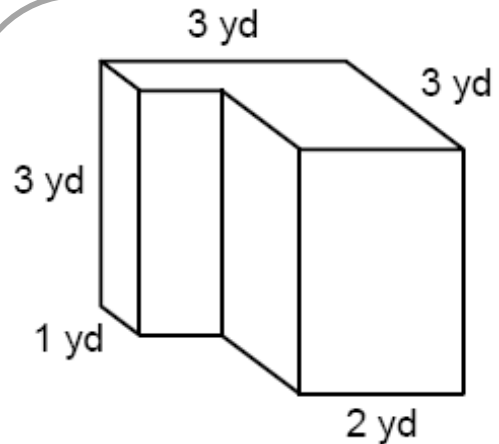
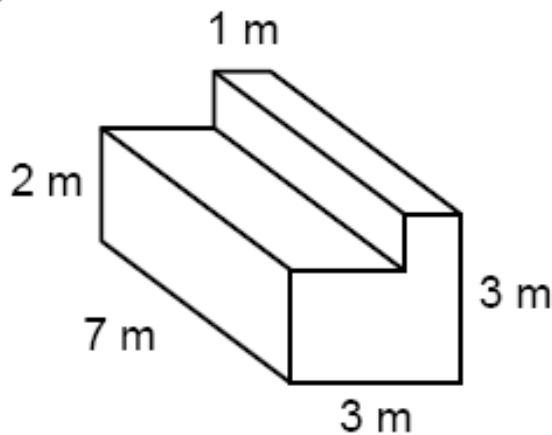


Solve the word problems. Remember to write the units.**#1** Answer =

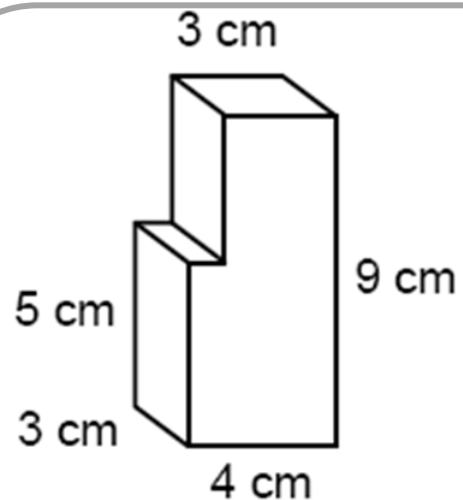
This aquarium at a museum will be filled completely with water. Exactly how much water is that?

#2 Answer =

A statue is being built at a memorial garden. If it is made of solid concrete, how much concrete will be needed?



A carpenter built this chest out of wood. How much total storage space does it contain?



How much can this pencil sharpener hold?

#3 Answer =**#4** Answer =