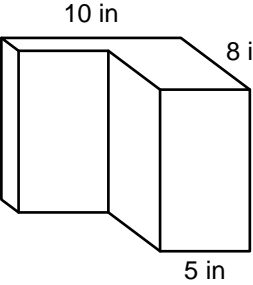
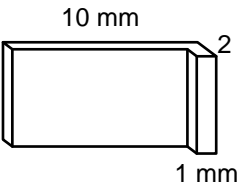


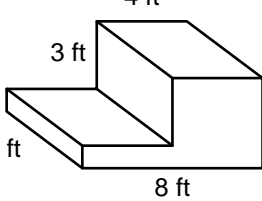
Calculating Volume

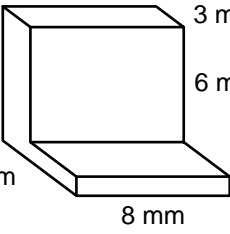
Name: _____ Date: _____

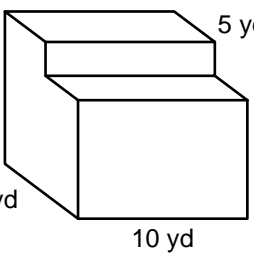
Calculate the volume of each solid.

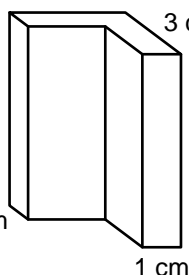
(1) 
Volume: 450 in³

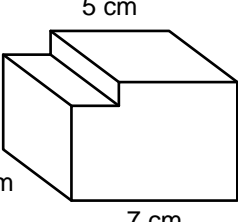
(2) 
Volume: _____

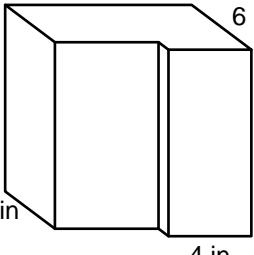
(3) 
Volume: _____

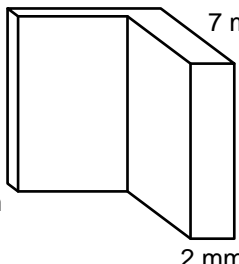
(4) 
Volume: _____

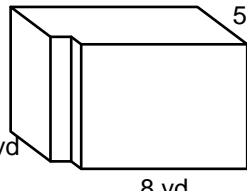
(5) 
Volume: _____

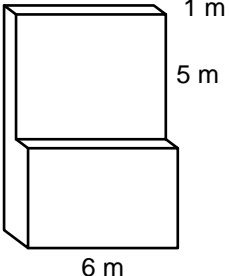
(6) 
Volume: _____

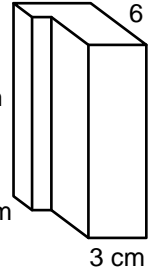
(7) 
Volume: _____

(8) 
Volume: _____

(9) 
Volume: _____

(10) 
Volume: _____

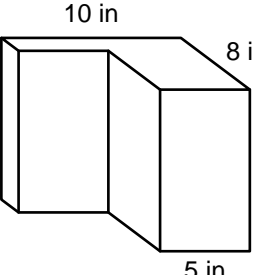
(11) 
Volume: _____

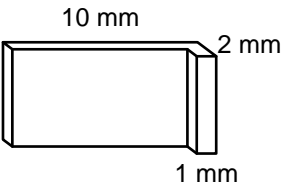
(12) 
Volume: _____

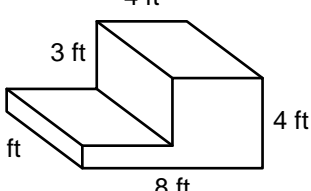
Calculating Volume

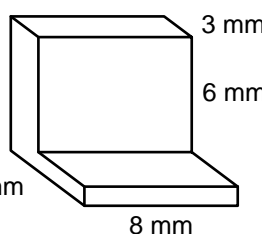
ANSWER KEY

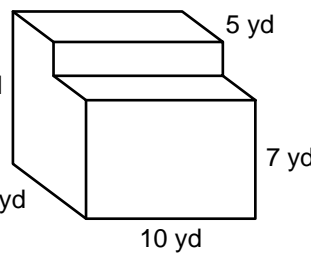
Calculate the volume of each solid.

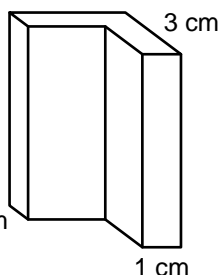
(1) 
Volume: 450 in³

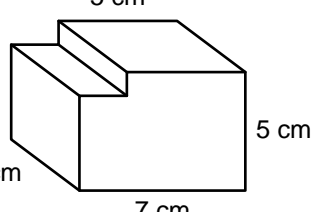
(2) 
Volume: 55 mm³

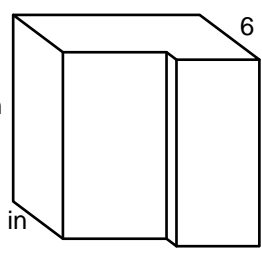
(3) 
Volume: 140 ft³

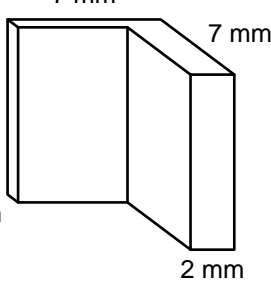
(4) 
Volume: 208 mm³

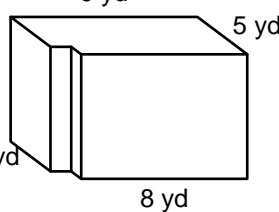
(5) 
Volume: 730 yd³

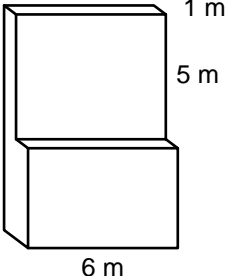
(6) 
Volume: 25 cm³

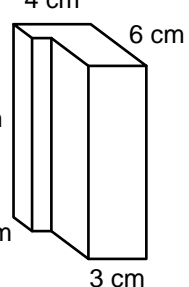
(7) 
Volume: 198 cm³

(8) 
Volume: 441 in³

(9) 
Volume: 152 mm³

(10) 
Volume: 264 yd³

(11) 
Volume: 78 m³

(12) 
Volume: 200 cm³